



**STUTALK**

2009-10

Vol. 3 Issue-5

**Voice of VBITians...**



**NATIONAL SCIENCE DAY *special***

February 28, is observed as National Science Day, Sir C.V. Raman announced the discovery of the Raman Effect on this day of 1928. For this, he was awarded the Nobel Prize for Physics in 1930. The Raman Effect led to the growth of a new discipline, Raman Spectroscopy, which has now become a powerful tool for a wide range of scientific investigations and industrial applications.

posted at Kolkata. But his love for Physics continued.

In 1915, he was appointed Palit Professor of Physics in the Science College of Calcutta University. In 1933, he moved to Indian Institute of Science, Bangalore, as its Director. After Independence, the Government of India appointed him the first National Professor.

Raman was a compulsive and relentless investigator. He never stopped learning and doing research. After his retirement in 1948, he established Raman Research Institute at Bangalore and continued to work there till his death on November 7, 1970.



Raman was a die-hard nationalist. He never believed that good quality research could be carried out only with foreign-made instruments. He emphasized on self-reliance in science and technology. Raman also represents an era when the facilities for education and research were very limited.

*This Issue Contains*

<b>NATIONAL SCIENCE DAY</b>	<b>1</b>
<b>IEEE</b>	<b>2</b>
<b>AVISHKAR</b>	<b>3</b>
<b>TECH-TALK</b>	<b>4</b>
<b>CLAPSTER</b>	<b>6</b>
<b>THE SPACE COWBOY</b>	<b>7</b>
<b>THE HACKING GURU</b>	<b>8</b>
<b>INFORMATIC COLUMN</b>	<b>9</b>
<b>PUZZLES CORNER</b>	<b>11</b>
<b>SPORTS</b>	<b>12</b>

**CONGRATULATIONS**

**SRIYUVA SUCHISMITHA**

**[1ST EEE]**

**BEST ARTICLE AWARD IN THE PREVIOUS ISSUE**

*"Nothing can stop the man with right attitude from achieving his goal; nothing on earth helps the man with wrong attitude"*

# IEEE



STUDENT BRANCH

IEEE is the world's leading organization of engineers which updates on the latest technological development in the world. IEEE has over 3,75,000 members across 160 countries. It has 1616 student branches and 452 student branch chapters at colleges and universities in 80 countries. It publishes a total of 144 transactions, journals and magazines, out of them seven of the journals are among the top ten journals published internationally in the field of electronic engineering.

IEEE @ VBIT



IEEE student branch of VBIT has taken its birth in the year 2006. It has been an initiative by the students of VBIT to gratify the professional needs of a student to cope with the growing market demands and also to develop the social skills of a student by being able to organize seminars, paper meet and many other activities which are by the students and for the students. The student branch members have been actively conducting IEEE weekly events in the college to create awareness among the students to know the latest technological developments.



## XYLYX



Science has been into the picture since the origin of this planet and that's what has kept man wondering, man has always been in pursuit of developing new technology to improve the standards of living to make this world a better place to live. Technology has influenced our lives to a great extent; it is in such a state that getting it out of the routine is out of the question. As to match the pace with the Advancing technology Vignana Bharathi Institute of Technology is machining a technical fest christened "XYLYX". XYLYX is a confluence of ideas across the country. XYLYX hosts a technical fest that showcases the modern developments in day to day technology. XYLYX aims at being a center for technical information exchange by inviting students across the country to present their papers, share ideas and participate in a variety of events, and also it gives them an opportunity to display ones creation by showcasing them in the "exhibition". XYLYX 09

brings a galore of competitions to all the young, dynamic and talented techies. It provides an arena to test your mettle amongst the best, and an opportunity to show one's artistry as well as to heighten one's knowledge in advancement of technology. All the events organized at XYLYX are aimed to supercharge the inherent skills of the participant. Apart from competitions, it has workshops conducted by some of the eminent people who will share their vast knowledge with students and quench their thirst for knowledge. XYLYX also offers an ideal environment to plan, share and elaborate their emerging ideas into inventions. XYLYX plays a very compatible platform for all the participants to showcase their prowess by participating in a gamut of events. All in all XYLYX comes in as a package to engage and test the participants in a wide range of disciplines. So are you ready to get yourself drowned in this technical whirlpool...!!!

It has become appallingly obvious that our technology has exceeded our humanity. ~Albert Einstein



# Avishkar



Hello newbies,

This section is presented for you to know and understand about the event hosted by our college VBIT only for you...!!

The event AVISHKAR is a paper presentation competition for you to come forward and present your papers on various issues, past, present or future either technical or non technical..

Let me pose this question first before I go further...

How many of you think that you are confident public speakers..??

Yes, you may be a good speaker, but to speak in front of a gathering consisting of more than 300 people...??

This is what Avishkar is all about, it gives you an opportunity to take a step forward, to take a leap in your inside and see really what you are capable of...

Mostly, many of you might be dreaming of placing yourselves in the MNC's in your future...

One can say that Avishkar is the right platform to gain the first experience and first hope, to enhance yourself and to hone your skills,...

Avishkar is conducted in two ways firstly, intra college, wherein you compete with your own college mates...secondly, inter college in which other colleges compete with you as well. Those selected in intra college event can participate in inter college.

You can find scarcely any college offering you such an opportunity at the head start...So all I want to say is use this stage to make yourself comfortable in the forthcoming stages of your life...so, c'mon friends take this opportunity coz opportunity knocks your door once...!!

## **AVISHKAR 2008:**

In the year 2008, to the fact, that was the first time Avishkar was ever introduced and it brought huge appreciation. Whenever, a particular event is said to be a hit, it is the credit taken not only by the organizers of the event but also the enthusiasm shown by the students to participate. Now, the reason why it gained such great prominence is because our college is the only one which conducts such an event for the juniors...!!

## **AVISHKAR 2009:**

In the year 2009, Avishkar grew a level ahead with the past year's experience and new innovations. Avishkar just did not remain an intra college event. It broke the barriers and created a sensation. The winning entries at the intra college level were then taken into a bigger platform wherein it was an inter college event. And this major transformation became much applauded by all. Avishkar now became the pride of Vignana Bharathi Institute of Technology, making it the only unique event in the R10 region, i.e. the Asia Pacific region. There were approximately 85 entries for the main event, making VBIT stand in a top position.

## **AVISHKAR 2010:**

So, by now all of you know the importance of Avishkar, last time there were 150 registrations for the event and only 70 presentations could find a place in finals.

This event was brought to this level by the organizers last year and this year we expect more number of participants and we want to take this event even more higher and make it more unique.

For that as I already mentioned above, its not just our role that matters but your zeal to participate.

So c'mon friends make the best use of the platform provided to you and prove what you are capable of..!!

technology... the knack of so arranging the world that we don't have to experience it. ~Max Frisch

# Enter the world of exoplanets

Five new planets have been spotted outside our solar system

Recently, a National Aeronautics and Space Academy, while searching the space telescope for Earth-like planets, discovered five globes moving outside our solar system. While looking for life on these orbs, scientists discovered that with their temperatures hotter than molten lava, the planets presented a strong case for the evolution of a planet. The observations made by NASA enabled scientists to understand how planetary systems form and evolve from gas and dust discs that resulted in stars and planets. Launched in MARCH 2009, NASA's Kepler spacecraft, carries a telescope designed to study around 100000 to 170000 sun-like stars and locate Earth-like planets orbiting them. NASA scientists expect to receive enough data from Kepler to determine not only the size of a planet, but to be able to detect whether it has a solid surface and if there's a potential for it to have water, a crucial component for the formation of life.

For years, astrophysics has developed an array of new technologies to assist them in identifying and confirming

the existence of exoplanets( a planet that orbits a star other than the sun or beyond the solar system).

Scientists estimate their mass, chemical composition and distance from their parent star through a variety of avant-garde techniques. As of January 2010, around 400 such planets have been detected.

Some of these are giant planets thought to resemble Jupiter, while a few are a few times more massive than the Earth. Most exoplanets found so far are giant ones weighing many times more than the earth. To date, the planet with the lowest mass found is the OGLE2005 BLG390Lb, which weigh about 5.5times more than the earth, which orbits a red dwarf in the centre of the Milky Way and is about 21500 light years away from the earth. One of the most massive exoplanets ever spotted is TW Hydrae b, which is about 9.8times heavier than Jupiter. Many exoplanets have intriguing properties. It is hard to believe that there are a



few planets like PSR162026c that orbit two stars simultaneously!

The newly discovered exoplanets are no different from such case studies. These too range from size smaller than Neptune to that larger than Jupiter. Their temperature read between 2200 and 3000 degrees Fahrenheit! With these new discoveries, scientists are back on a journey that began centuries ago to answer the question 'Are we alone in the universe'? Keeping earth in mind, they know that tranquil planets where life could have developed exist in the otherwise violent universe of exploding stars and colliding galaxies. The quest is to reach a planet just like our Mother Earth!

**M.SHAILAJA  
(CSIT II)**

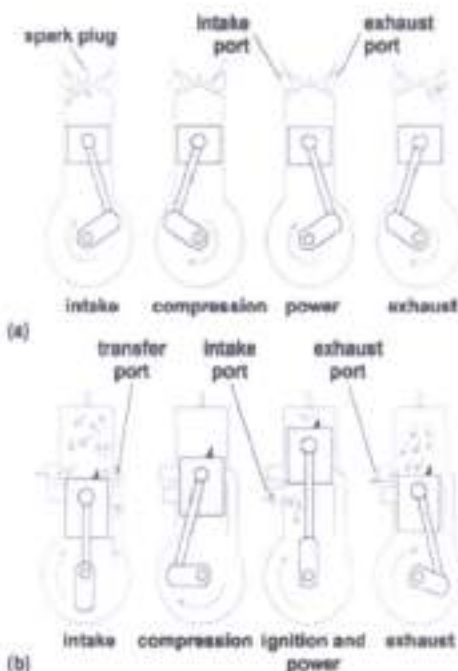
*"I expect you to except the one who suspect you even when you respect him and accept the one who respect you even when you suspect him"*

# IC – INTERNAL COMBUSTION ENGINE

Are you ever curious to know where the concept of the automobile engine came from? Who conceptualized it? How did you think the very first engine model looked like? It was certainly not the way it is today. Curious to know more about the very engine model every created? We almost take our Internal Combustion Engines (the Automobile engines) for granted, don't we? All we do is buy our vehicles, hop in and drive around. There is, however, a history of development to know about. The compact, well-toned, powerful and surprisingly quiet engine that seems to be purring under your vehicle's hood just wasn't the tame beast it seems to be now. It was loud, it used to roar and it used to be rather bulky. In fact, one of the very first engines that had been conceived wasn't even like the engine we know so well of today.

The **internal combustion engine** is an engine in which the combustion of fuel (generally, fossil fuel) occurs with an oxidizer (usually oxygen) in a combustion chamber. In an internal combustion engine

the expansion of the high temperature and pressure gases, which are produced by the combustion, directly applies force to a movable component of the engine, such as the pistons or turbine blades and by moving it over a distance, generate useful mechanical energy.



## WORKING:

Characteristic features common to all commercially successful internal combustion engines include (1) the compression of air, (2) the raising of air temperature by the combustion of fuel in this air at its elevated pressure, (3) the extraction of work from the heated air by expansion to the initial pressure, and (4) exhaust. In 1862 Beau de Rochas proposed the four-stroke engine cycle as a means of accomplishing these conditions in a piston engine (see illustration). The engine requires two revolutions of the crankshaft to complete one combustion cycle. The first engine to use this cycle successfully was built in 1876 by N. A. Otto.

**G.CHENDRAKANTH REDDY  
CSE II**

## Wonders Of Science

Science helps us in reasoning, in every aspects of life. Everything around us has got some connection with science. Many great scientists have given their thoughts a new dimensions and have given us many things with which we are living with in the present world. Can't we get a thought in ourselves at a particular time that what lead them to do so? Can at least a few of us get such questions striking in our minds. The only answer for them to have invent

such things was the necessity of those things. Nothing has changed friends, and I feel that everyone has got the same talent in various areas and we just need to know where we are. I feel that all of us enter in that area. I feel that all of us have potential and innovative ideas in us and we need to give our innovations a better and correct approach, as today's innovation can be tomorrow's inven-

tion.

So friends, on this occasion of Science Day, and as Engineers why not give your innovations a better thought and try to develop a few things for the benefit of ourselves if not for our future generations.

**Sourav  
IV CSE**

God never made his work for man to mend. ~John Dryden



# CLAPSTER



## Hey buddies!!!!!!

I'm a lad who fell into the track of B-Tech both with a dream of achieving high and slightly baffled mind!!!!

That was my first day in the electronics lab with those CRO probes, resistors, capacitors and mighty transistors, It was just like "TAARE BREAD BOARD PAR..." With loads and loads of dilemma and curiosity to know about electronics, I surfed the net and found everything I needed. Now that I got habituated I felt like experimenting with the components. One fine day I was just lying lazy on my couch, and asked my sweet mom to switch the light on, she started nagging me and then I began to ponder over the thought of switching the light "ON" without actually using the switch while on couch just with a "CLAP"... then with a jolt, I got the idea of clap switch, "WHAT AN IDEA SUBBUJL..." to overcome my eagerness, I got through the required information on internet.

One fine morning I started the experiment with an excitement as that of kid who did his first school work. And I finally succeeded in making ONE....

## EUREKA!!!!!!

So friends Want to know how a "CLAP-SWITCH" works???

A clap switch is a schematic arrangement of resistors and a couple of transistors, capacitors and multivibrator arrangements, array of diodes and LED'S with "SWITCH" and "MICROPHONE"

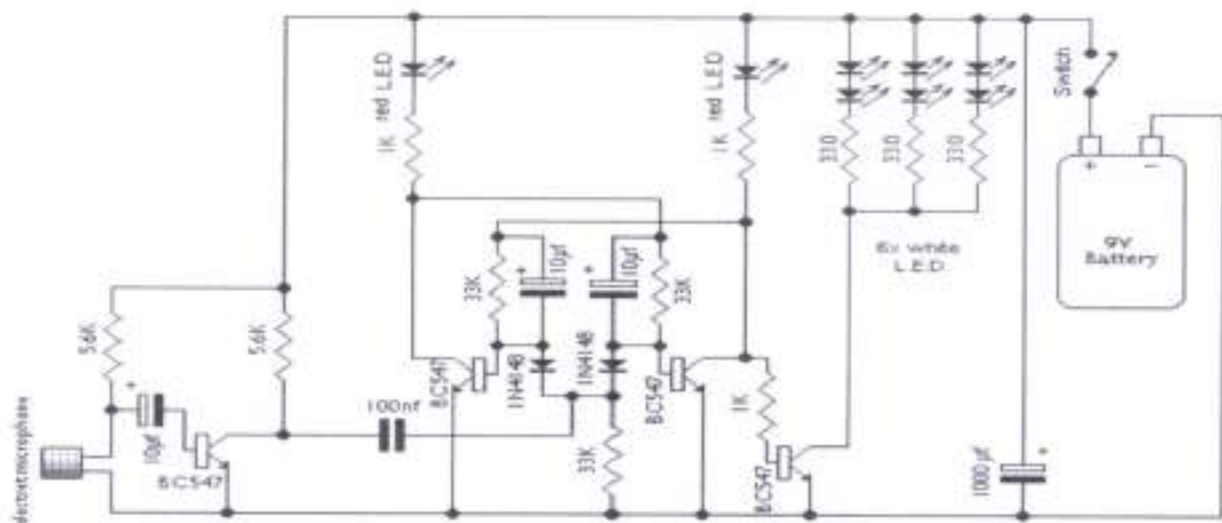
### Working:

#### TO SWITCH ON:

CLAP → SOUND WAVES → MICROPHONE → ELECTRICAL SIGNAL → AMPLIFIER → SWITCH  
AND HERE LIGHT GETS ON...

#### TO SWITCH OFF:

CLAP → SOUND WAVES → MICROPHONE → ELECTRICAL SIGNAL → AMPLIFIER → SWITCH  
AND HERE LIGHT GOES OFF...



**\*\*FRIENDS TRY IT ONCE IT JUST COSTS Rs.50/-\*\***

**K.C.B.BALASUBRAMANYAM (EEE II)**

The machine does not isolate man from the great problems of nature but plunges him more deeply into them.



# THE SPACE COWBOY



Ranked an impressive second in State-level paper presentation in our college, I had absolutely no idea what I could excel in until my potential for astronomy was miraculously unleashed in the year 2000 when I was in 10<sup>th</sup> standard.

Since young, I have been an inquisitive lad and was always fascinated by stars, planets and the Universe itself. I was determined to make my own telescope so that I could gaze at the stars. I gathered information from the internet, attended physics workshops from the year 2000 and by 2002, I was able to have a close view of the stars with my own small 3-inch refractor telescope.

I represented our college in the Avishkar, State level paper presentation and Srujana's Working Model Exhibition at Guntur earlier this year. In both the events I attained second position. Later, I secured first position in Bio ohm a science exhibition conducted by Avanti Degree College. Apart from taking part in competitions, my best friend Vaibhav and I create telescopes in our free time. The most unique thing about my telescope is that its concave mirror is actually made from simple domestic glass. This is unlike the conventional telescopes which are loaded with convex lenses.

In terms of personal experience, I have to admit that it has been a tough ride coping with telescope-making and studies simultaneously. This was especially so when I was developing my unique telescope while completing my tenth SSC exam. I painstakingly developed the telescope over nine months. This is because, procedures like applying chemicals to the surface of the glass can stretch over a staggering 400 hours. However, I did not

neglect my studies. Instead, I utilized my spare time and holidays. It is very exhausting and time-consuming to juggle my heavy hobby with studies. However, I believe that even at the brink of failure, I should keep fighting and pressing on no matter what the outcome be!

Right now, I am attempting to grind a mirror record breaking above 16 inch i.e. a mirror of 18 and 12 inch telescope simultaneously. After a long struggle for two years, I have reached the final stage. The telescope will be completed in 3 to 4 months time.

Apart from pursuing my own interest, I also believe in sharing my knowledge. Therefore, I give classes to students on basic astronomy and impart observatory skills so as to create awareness of Astronomy. Every year I attend the star party



("MILKYWAY VOYAGE") where all the amateur astronomers across India meet at one place in Nainital conducted by "Bangalore Astronomical Society".



July 22<sup>nd</sup> was my memorable experience where I have gone through two states to see its spectacular view. Hyderabad's climate was very gloomy, where I have to go to Patna to see 100% total solar eclipse. This total solar



eclipse was so special which was considered as "Century's Longest Solar Eclipse".

My family and my friend Vaibhav have been my pillar of strength all these years. They have been there for me, every single time I needed guidance and financial and emotional support.



I express my gratitude to Dr. Vilas Deshpande (Professor of physics (OU)) for identifying my capability at a

physics workshop. He also provided me with the opportunity to have a conversation with our former President (Dr. Abdul Kalam) which further enhanced my interest in Astronomy. I regard our former President as a role model and would like to follow his footsteps to become a missile scientist and join the defence research development organization (DRDO) This way I would be able to fulfill my dream in Astronomy. I would like to end with a quote by Thomas Alva Edison; "Genius" is one percent inspiration and ninety-nine percent perspiration

**S.K.PARTHASARATHY**

(CSIT II)

Carl Sagan: "Science is a way of thinking much more than it is a body of knowledge."

## The hacking guru @ VBIT



Mr. Ankit Fadia, 24 years old, is an independent consultant of computer security in digital intelligence with definitive experience in the field of internet security based out of the silicon valley in California, USA. He is also a widely recognized computer security guru and cyber terrorism expert. Ankit Fadia presented a seminar on hacking and computer security in our VBIT campus, Mr. Fadia demonstrated various types of threats, a user is exposed to on the internet and also explained some of the counter measures that can be taken to prevent those threats. Students were amazed to witness the kind of sophisticated online attacks and were curious to learn the security concepts.



## Have you ever known this ???

- A Butterfly has 12,000 eyes!
- The earth has around 12,00,000 species of animals, 3,00,000 species of plants and 1,00,000 other species
- An ostrich's eye is bigger than brain!
- A rat can go without water for longer than a camel can!
- Dolphins sleep with one eye open!
- It's possible to lead a cow upstairs but not downstairs!
- Dalmatians are born without spots!
- Most soccer players run 7 miles in a game!
- Women blink nearly twice as much as men!
- The oldest thing on earth is 12,000 years old. It is the flowering shrubs called creosote bushes in the Mojave desert
- Gold fish can outlive dogs and cats; they can live up to 20 years!
- Star fishes don't have brain! Gold fish can outlive dogs and cats; they can live up to 20 years!
- 160 cars can drive side by side on the monumental axis in Brazil, the world's widest road.
- A cockroach can live several weeks with its head cut off
- Every person has a unique tongue print
- Human thigh bones are stronger than concrete!!
- Most cows give more milk when they listen to MUSIC!
- The earth's weight is around 65880000000000000000000000000000 tons
- The only 15 letter word that can be spelled without repeating a letter is "uncopyrightable"
- Butterflies taste with their Feet!
- Venus is the only planet that rotates clockwise
- The cigarette lighter was invented even before the match
- Its physically impossible for you to lick your elbow (Almost everyone who reads this will try to lick their elbows now)
- India has the most post offices in the world
- There are about 6800 languages in the world
- On average, falling asleep while driving, results in 550 accidents per day in USA!
- There are no ants in Iceland, Antarctica, and Greenland!
- Kangaroos cannot walk
- Penguins can convert salty water to fresh water.

Y.S.L. TEJWANTH

2ND CSE-B

Adam Smith: "Science is the great antidote to the poison of enthusiasm and superstition."



# Company Names-The Origin

... started as a jockey boast  
... amount of information the  
... engine would be able to  
... it was originally named  
... a word for the number rep-  
... by 1 followed by 100 zeros.  
... anders - Stanford graduate  
... Sergey Brin and Larry  
... sented their project to an  
... investor, they received a  
... made out to 'Google.

... rd was invented by Jonathan  
... d used in his book Gulliver's  
... It represents a person who is  
... e in appearance and action  
... arely human. Yahoo! foun-

ders Jerry Yang and David Filo se-  
lected the name because they consid-  
ered themselves yahoos.

The name Yahoo! is an acronym for  
"Yet Another Hierarchical Official  
Oracle," but Filo and Yang insist they  
selected the name because they liked  
the general definition of a yahoo: "rude,  
unsophisticated, uncouth."

## Oracle

Larry Ellison and Bob Oats were work-  
ing on a consulting project for the Cen-  
tral Intelligence Agency (CIA).

The code name for the project was  
called Oracle (the CIA saw this as the  
system to give answers to all questions  
or something such).

## Microsoft

It was coined by Bill Gates to represent

the company that was devoted to MI-  
CROcomputer SOFTWARE. Originally  
christened Micro-Soft, the '-' was re-  
moved later on.

## Intel

Bob Noyce and Gordon Moore wanted  
to name their new company 'Moore  
Noyce' but that was already trade-  
marked by a hotel chain, so they had to  
settle for an acronym of INTEgrated  
ELectronics.

B.GANESH

\*\*\* Don't look back when you are  
moving towards success", "But  
don't forget to look back after  
reaching success..!!!"

## Time! Time! Time!

It is the one that can defeat everybody.  
It is the one that can't be conquered by anybody.

It changes a child to a young person  
And the young to old one.

It never stops for anybody,  
It ever changes everybody.

It changes a bad one to a good one,  
And sometimes a good one a bad one.

Never say it is a bad time,  
It is only a bad situation at that time.  
A day consists of day and night,  
Thus the life has right and tight.

Don't forget to do your duty,  
And never forget to love the nature's beauty.  
Have some sweet memories in life,  
To face the troubles with that knife.

N.VARUN REDDY

CSIT II

Isaac Newton: "If I have seen further than others, it is by standing  
on the shoulders of giants."

## CHINGLISH

- WELCOME FOR COMING
- PLEASE PUSH OUT FOR EXIT!!
- BUILDING ASKS A SMOKED VISITOR  
IN THE OUTSIDE SMOKING SECTION  
THAT YOU CANT SMOKE IN...
- THIS IS NOT A TOY AND SHOULD BE  
KEPT AWAY FROM THE CHILDREN  
MADE IN CHINA
- TAKE THE CHILD...FALL INTO WATER  
CAREFULLY!!!
- THE FREE TOILET PAPER. PLEASE  
TREASURE THE USE!!!!!!!
- MEET (meat) PRODUCTS??
- BE IN TROUBLE... PLEASE CALL 110!!!
- DON'T PRESS THE GLASS TO GET  
HURT
- PLEASE KEEP CHAIR ON POSITION  
AND TABLE CLEANED AFTER DYING.  
THANKS FOR YOUR CORPORATION

HIMAVARSHI (ECE II)

## Ugadi -Our New Year



All Indian festivals have their own significance and importance. Indian culture has a rich heritage, with numerous festivals. Each celebrated festival throughout the year has its own distinct value and ritual practice. Ugadi is celebrated in many states like Maharashtra, Karnataka and Andhra Pradesh. Indians take pride in celebrating festivals, because it is time for getting together as families. UGADI like many other Hindu festivals believes in replacing vices with Virtues, is celebrated to thank and celebrate the bounteous crop and also is a sign of the end of an old era and the beginning of a new one.

### **Significance of Ugadi**

The name "Ugadi" came from Yuga + Aadi which means "Beginning of a New age. It is believed that the creator according to Hinduism, Lord Brahma started his work of creation on the Chaitra suddha padhyami(Ugadi). The onset of spring also in some way symbolically marks the beginning of new life. The new life seen in the fields and meadows, with colorful blossoms, also signify prosperity and well-being. It is believed that Ugadi will be the next age of the Eternal World Drama Cycle, after the Kaliyuga. It is commonly believed that world drama cycle repeats every 5000 years with 1250 years for each yuga. Ugadi is also regarded the beginning of a new Hindu lunar calendar with a change in the moon's orbit. On this day predictions are made for the New Year. The panchanga shraavanam or listening to the yearly calendar is done traditionally at the temples. Prepara-

tions for the festival begin almost a week ahead. Houses are cleaned. Shopping to buy new clothes and other items add to a lot of excitement.

If one looks closely, mango leaves and coconuts are used to initiate any pooja or any other auspicious occasions to please gods. People splash fresh cow dung water in front of their houses and make good rangoli's. This is a common sight in front of every household. People perform pooja to worship God. They invoke his blessings before they start anything in the New Year. They pray for their prosperity health and wealth. Ugadi is considered as the most auspicious time to start new ventures. Some people make a mixture with mango pieces, jaggery and Neem flowers. Jaggery represents joy and happiness while and Neem flowers represent sorrow.

**K.R.Aruna**  
ECE- II

## **VBIT STUDENTS PERCEPTION ON FOREIGN UNIVERSITIES GETTING ESTABLISHED IN INDIA**

\*Majority of the students have responded positively to join foreign universities if they get established in India .

\*Students perceived that the quality of higher education will improve because of foreign Universities coming to India

\*Students also perceived that the Indian universities will face a tough competition because of the foreign universities coming to India

\*Majority of the students have preferred to join Indian universities as their 1<sup>st</sup> choice and foreign university in India, studying abroad as their 2<sup>nd</sup> & 3<sup>rd</sup> choice

This response may be due to racism in foreign countries faced by Indian students.

These are the outputs of the survey conducted by meeting 175 VBIT B.Tech students.

### **Survey Conducted by**

Marketing Students of MBA Department

Ralph Waldo Emerson: "Men love to wonder, and that is the seed of science."

## Nine Healthy Bodybuilding Tips

1. Don't do anything in jerks.
2. Egg white is good source of protein (contains all types of amino acids). One egg yolk has enough cholesterol to fulfill your daily requirement of cholesterol (Recommended Daily Allowance of Cholesterol is 300 mg).
3. Milk is another good source of protein. It has a low glycogenic index too.
4. Space your diet into 6-7 meals instead of the usual 3 meals a day.
5. Do the workout on alternate day so as to allow the muscles to grow (it grows during rest).
6. Take plenty of water.
7. Don't supplement with vitamin pills. Instead take fruits and vegetables sources of vitamins.
8. Your liver enzymes may rise. The enzymes actually come from the artificially produced micro trauma during workout. When it heals, it does so with a hypertrophy. Inform the doctor that you recently began heavy exercise.
9. Get your liver function tests, kidney function tests and lipid profile done, to check you haven't done anything crazy with your diet. Do the exercise regularly to stay strong, fit and healthy.

**SUNEEL JOSHI—MBA 1ST YEAR**

**"ILLUSION OF FACE", in this there are 5 faces...**



By Vachaspathi Garlapati—CSE— 3rd Year

## Puzzles Corner

\*Name an English word which all the vowels and the letter "Y" in an alphabetical order.. For example, There is a word called "facetiously". Name some other word.

\*Rearrange these letters to form the name of a famous play writer in English

*I AM A WEAKISH SPELLER*

## INSPIRING MESSAGE

**If you born poor  
It is not your mistake  
But if you die poor  
It is your mistake**

B.Prathyusha

ECE 1 year

## Special Sms

1. Public news for an Indian: Pls don't write in rupee note. They can't be used for standard transactions...E.g.. You can't find written notes in ATM. Because of written rupee notes, 2000 cr. Loss for Indian govt. per year.
2. Hockey world cup in India starts from 28 Feb. such a big event but media doesn't bother 2 spread dis. Lets do it 2 gather. It's our national

game. As a true Indian do it.

3. Hi our national anthem is nominated for 2010 OSCAR plz cast ur vote through [www.oscar10.com](http://www.oscar10.com) plz plz pass it to all ... as an Indian its our duty.

**Nagraj - MBA (II year)**

**Ray Bradbury:** \*Touch a scientist and you touch a child.\*

## VBITians -In the Ground

### VOLLEYBALL:

The following students represented JNTU[H] for "VOLLEYBALL TEAM" at "Kannur University, KERALA[2009-2010]"



- 1.CH.Vijaya Krishna[Captain][MBA 1st Year]
- 2.G.Ravi Kumar[Vice Captain][MBA 1st Year]
- 3.Srujan Kumar[B.TECH 4th Year]

**GIRLS:** M.Anusha[B.TECH 2nd Year]

### RIFLE SHOOTING:

B.GANESH[MBA 1st YEAR] was selected for Rifle Shooting and he represented JNTU[H] at All India Inter University Competition which was held at JIWAJI UNIVERSITY in GWALIOR.



### CRICKET:

#### "D-ZONE CHAMP VBIT"

JNTU Intercollegiate D-ZONE Cricket Tournament : Final Match: VBIT vs SNIST



In the final match VBIT won by 40 RUNS over SNIST.

### SOFTBALL:

Deepak [3rd MCA][JNTU Captain] and Kaushik[2nd B.TECH] were selected for the JNTU softball team.



## Special STALL

For Ugadi special greeting card stall in VBIT campus by Dhyuti NSS team

As an Indian we should feel proud on our culture and values  
So each one purchase at least one card and send it to whom you love and like most.

Your contribution will enhance the life of orphan girls VAIDEHI ASHRAM



Hi VBITians

You can contact us

Vbit.stutalk@gmail.com,

Hurry start sending your feedback , we are eagerly waiting 4 your response.

STUTALK TEAM

## Success stories

1."National Youth Day" ,12th Jan,2010 was celebrated at our college with great pomp. The former chairman at AP Finance Co-Operation Mr. Gopala Krishna (Retd.IAS) was invited as the chief guest for the event.

2."Republic Day",26th Jan,2010 was celebrated at our college with huge gathering of 700 students, staff and management. Several competitions were held for the 1st year students.

3. An Industrial tour to CPRI was conducted on 29th Jan,2010 by and for the EEE Dept. wherein 60 students participated.

4. A blood donation camp was organized DHYUTHI,NSS unit of VBIT on 30th Jan,2010 with help of Mythri Trust , Hyd. about 115 were successfully collected

5.A Spectacular seminar on hacking was organized by IEEE ,VBIT on 9th Feb,2010 by the renown ANKIT FADIA wherein 230 students participated.

### STUDENT CO-ORDINATORS:

K.SHESHA SAI KUMAR (2ND IT)

P.SURESH (2ND IT)

S.HIMAVARSHI (2ND ECE )

GANESH (M.C.A)

CHANAKYA (M.B.A)

SHARADA (2ND IT )

SHRUTI (2ND IT)

P.ALEKHYA ( 2ND CSE )

T.L.N.S.SRAVANTHI (2ND CSE)

CHENDRAKANTH ( 2ND CSE)

### FACULTY CO-ORDINATOR:

Mr. Anand Soni

